

Photoreceiver PR-3

Silicon-pin Photodiode

Features:

- Silicon-pin photodiode
- Unpackaged chip-on-submount*
- Dark current 1 nA

Applications:

- Fiber optical sensors and gyros
- Optic devices
- Medical equipment
- Scientific research



Parameter	Test Conditions	Value			Units
		Min	Typ	Max	
Sensitivity	Photodiode supply voltage U=10 V	0.4			A/W
Total Capacitance	U=0 V		2		pF
	U=10 V		1		
	U=20 V		0.6		
Dark Current	U=10 V, T=20 °C			1	nA
	U=10 V, T=60 °C			40	
	U=10 V, T=70 °C			60	
Diameter of Light Sensitive Area			100 or 600		μm
Minimum Fiber Length		10			mm
Life time**			50 000		hr
Overall dimensions:					
Height				0.3	mm
Length				0.85	mm
Width				0.85	mm
Weight				0.5	mg

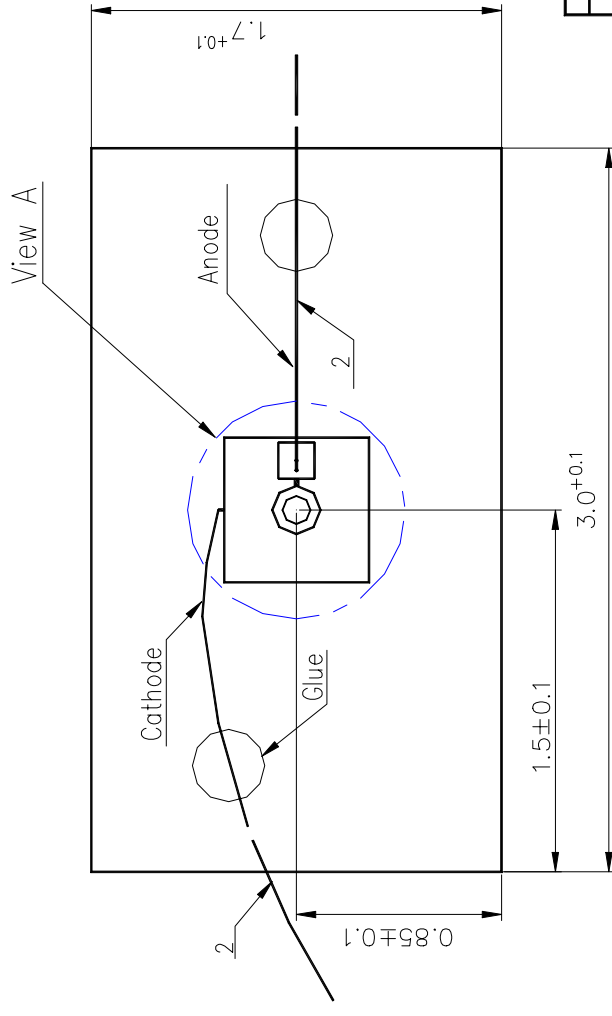
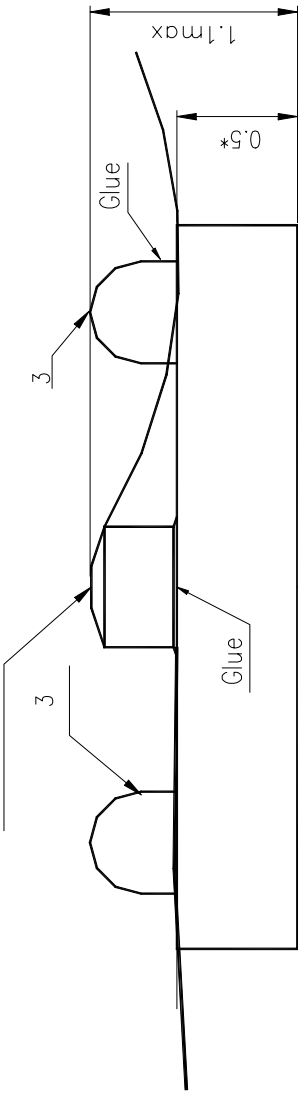
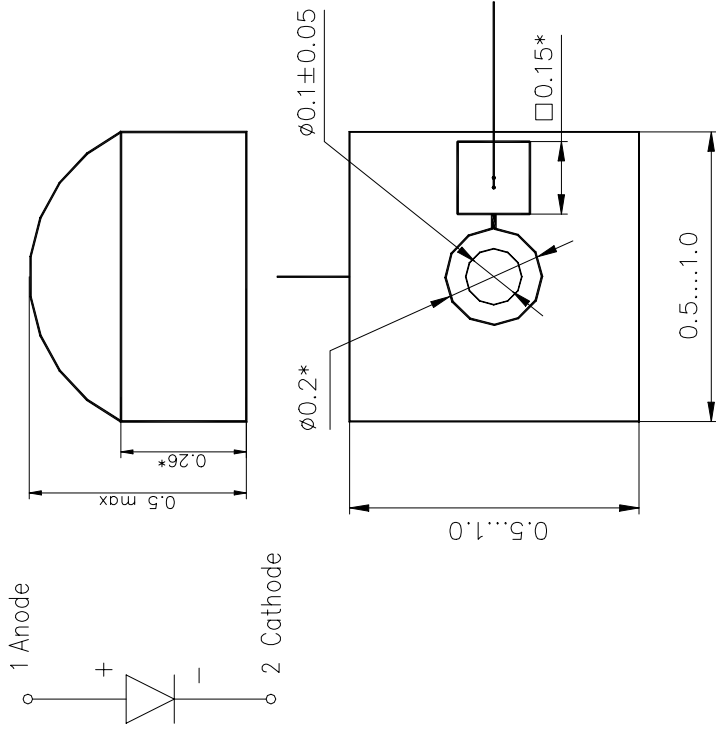
Note: * May be supplied in a hermetic metal-glass with glass window package #7 or fiber coupled with MM 50/125 μm fiber package #8

** Failure rate for confidence probability P*=0.6 during life time $3 \cdot 10^{-6}$ 1/hr

Inv. N origin.	
Sign. and date	
Inst. inv.N	
Inv.N dubl.	
Sign. and date	

Inv. N origin.	
Sign. and date	
Inst. inv.N	
Inv.N dubl.	
Sign. and date	

A(100:1)



- 1.*Reference dimensions.
- 2.Gold (97.5%) – Palladium (2.5%) wire $\phi 0.030\text{mm}$; length = $8 \pm 1\text{mm}$.
- 3.Glue height will not exceed that of the die.

Rev Sheet	N of docum	Sign.	Date	Type	Mass	Scale
Drawn	Strakowa				0.01	50:1
Designed	Zhizdyuk			Sheet		Sheet Qty
Checked						
Appr'd	Mikavayvan					
Photodiode PR-3						
Outline drawing						